

THREADED BODY

Zinc-plated steel.

PLUNGER

AISI 303 stainless steel.

Suggested tolerance for matching hole = G7.

LOCKING NUT

Zinc-plated steel.

LEVER

High-resilience polyamide based (PA) technopolymer, black colour, matte finish.

STANDARD EXECUTIONS

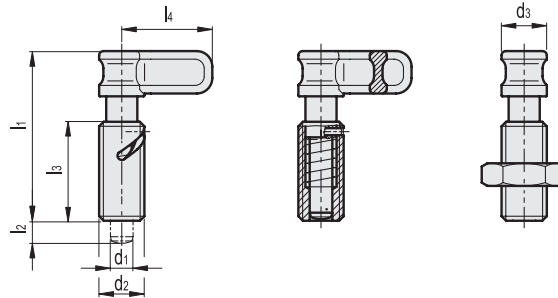
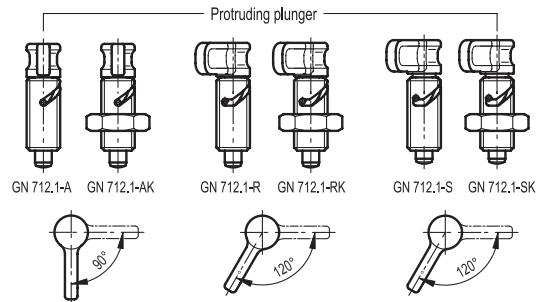
- **GN 712.1-A:** without rest position, without locking nut.
- **GN 712.1-AK:** without rest position, with locking nut.
- **GN 712.1-R:** with rest position, without locking nut.
- **GN 712.1-RK:** with rest position, with locking nut.
- **GN 712.1-S:** with safety rest position, without locking nut.
- **GN 712.1-SK:** with safety rest position, with locking nut.

FEATURES AND APPLICATIONS

The plunger of GN 712.1 lever indexing plungers is in the retracted position when out of gear. They are used when the plunger must advance quickly. By turning the lever by 90° or 120° clockwise, according to the executions (see drawing), the plunger protrudes thanks to a lateral pin sliding along the curved slit.

SPECIAL EXECUTIONS ON REQUEST

Stainless steel indexing plungers.



Conversion Table	
1 mm = 0.039 inch	
d1	
mm	inch
6	0.24
8	0.31

Code	Description	d1				l1	l2±0.05	l3	l4	Spring preload [N]	Spring max load [N]	⚖️
		Plunger -0.02-0.04 Hole G7	d2	d3	d4							
GN.36961	GN 712.1-6-M16x1.5-A	6	M16x1.5	16	59	8	35	32	7	16.5	50	
GN.36964	GN 712.1-8-M16x1.5-A	8	M16x1.5	16	59	8	35	32	7	16.5	50	
GN.36971	GN 712.1-6-M16x1.5-AK	6	M16x1.5	16	59	8	35	32	7	16.5	67	
GN.36974	GN 712.1-8-M16x1.5-AK	8	M16x1.5	16	59	8	35	32	7	16.5	67	
GN.36962	GN 712.1-6-M16x1.5-R	6	M16x1.5	16	59	8	35	32	7	16.5	50	
GN.36965	GN 712.1-8-M16x1.5-R	8	M16x1.5	16	59	8	35	32	7	16.5	50	
GN.36972	GN 712.1-6-M16x1.5-RK	6	M16x1.5	16	59	8	35	32	7	16.5	67	
GN.36975	GN 712.1-8-M16x1.5-RK	8	M16x1.5	16	59	8	35	32	7	16.5	67	
GN.36963	GN 712.1-6-M16x1.5-S	6	M16x1.5	16	59	6	35	32	7	16.5	50	
GN.36966	GN 712.1-8-M16x1.5-S	8	M16x1.5	16	59	6	35	32	7	16.5	50	
GN.36973	GN 712.1-6-M16x1.5-SK	6	M16x1.5	16	59	6	35	32	7	16.5	67	
GN.36976	GN 712.1-8-M16x1.5-SK	8	M16x1.5	16	59	6	35	32	7	16.5	67	

